

PSE 1000s – Stud Welding Gun

Particular features:

- Automatic feeding of the welding studs.
- Suitable for all welding studs used in the automotive industry.
- Safety circuit according to performance level „d“.
- Modular design; robust and service-friendly structure.
- Effortless handling of the welding gun thanks to a possible connection to a stabilizer. Horizontal or vertical suspension.
- Servo-electric drive with digital control.
- Freely adjustable lift-off dimensions (programmable via the user panel of the welding machine).
- Constant lift-off, even when welding on a concave or convex surface.
- Monitoring the angular position. Welding the studs perpendicularly to the base, with LED indicator.
- LED indicator for suspect **Not-In-Order (NIO)** weld recognition of the process monitoring system.
- Easy program selection via switch for up to 9 welding programs (parameter presets).
- Optionally, welding with inert gas.

PSE 1000s



Qualität | Innovation | Dialog | Service

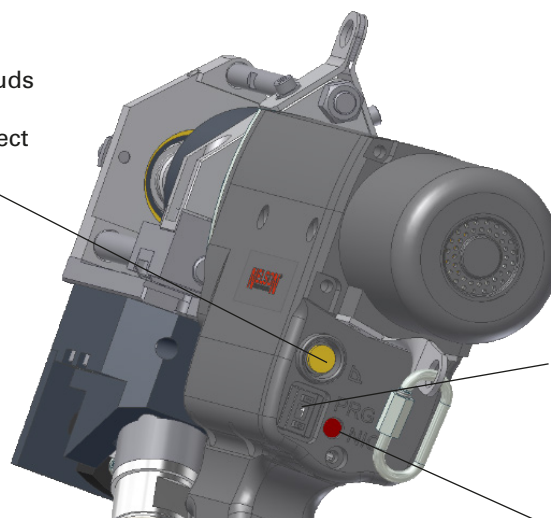
NELSON
FASTENER
SYSTEMS

Technical Data PSE 1000s

PSE 1000s

Welding method:	Short-cycle drawn-arc	Noise emission:	Continuous sound level (Lp A eq.): 79 dB
Welding position:	all	Operating pressure:	5.5 bar - 6.0 bar
Control voltages:	24VDC (± 10%) 90VDC (±10%)	Air consumption:	See 'Technical data' of the feeder
Protective rating:	IP 40	Relative humidity:	10% ... 85%, non-condensing
Operating temperature:	- 0°C to + 50°C	Welding sequence:	10 ... 40 studs/min. depending on type
Storage temperature:	10°C to + 70°C	Weight:	3.2/9.2kg (without/with tubing set)

Button for reloading studs manually. With yellow LED indicating the correct angular position.



Switch for program selection. In conjunction with a welding machine N4s and an FSE feeder.

LED indicator (red) for NIO recognition.

Germany

(European Headquarters)

Nelson

Bolzenschweiß-Technik GmbH & Co. KG

Postfach 4020, D-58272 Gevelsberg
Flurstraße 7-19, D-58285 Gevelsberg
Telefon: 02332.661-0
Telefax: 02332.661-135
eMail: info@nelson-europe.de
www.nelson-europe.de



Great Britain

Nelson

Stud Welding UK

47-49, Edison Road
Rabans Lane Industrial Estate
Aylesbury, Bucks, HP19 8TE
United Kingdom
Telephone: 01296.433500
Telefax: 01296.487930

France

Nelson

Soudage de Goujons France S.A.S

Z.I. du chemin Vert
8, rue de l'Angoumois
F-95100 Argenteuil
France
Téléphone: 01.3411-9400
Téléfax: 01.3411-2033

Italia

Nelson

Bolzenschweiß-Technik GmbH & Co. KG

Via Miraflores 20
I-10042 Nichelino/Torino
Italia

Telefono: 011.6059238
Telefax: 011.6050015

USA Nelson Stud Welding, Inc.

7900 West Ridge Road · P.O. Box 1019 · Elyria · OH 44036-2019, USA · Phone: 440.329-0400 · Telefax: 440.329-0597 · www.nelsonstud.com



Qualität | Innovation | Dialog | Service

NELSON
FASTENER
SYSTEMS